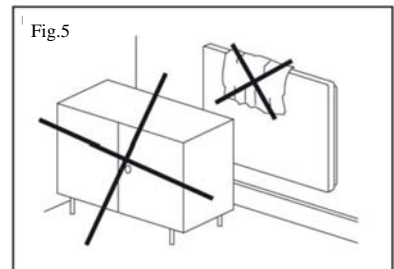


- Only qualified persons may carry out work on the panel. Before launching such work, the panel must be disconnected from the source of power. As it is made of fragile material, great care needs to be taken during transport, manipulation and installation.
- **Do not cover the panel in any situation.** The notice “NEZAKRÝVAT” (“DO NOT COVER”) notifies that any material covering the panel may cause a fire. Furniture must not be placed and curtains must not be hung in front of the panel (see Fig. 5) and free circulation of air must be ensured. Dust must be removed from the panel regularly, at least before the beginning of every heating season. Do not touch the panel when in the bathtub or shower!
- **The heater must not be used if the glass is damaged.**
- Be careful to choose the right type of anchoring element (wall plug), particularly when dealing with plasterboard/gypsum fibreboard and porous concrete structures. If necessary, consult a specialised firm or manufacturer about anchoring - for example <http://www.fischer.co.uk/Home.aspx>
- This heater isn't fitted with a room temperature control device. Do not use this heater in small rooms if they are occupied by people who cannot leave the room by themselves unless permanent supervision is provided.
- This appliance can be used by children from the age of 8 and older, and persons with lower physical, sensory or mental abilities or a lack of experience or knowledge providing they are under supervision or have been trained in the use of the appliance in a safe manner and understand the possible danger. Children may not play with the appliance. Cleaning and maintenance by the user must not be carried out by children without supervision. Children under 3 years of age should be prevented from accessing the appliance, unless they are constantly supervised.
- Children from 3 to 8 years of age may switch the appliance on/off only if it is placed or installed in its intended standard operating position and if they are under supervision or have been instructed in the safe use of the appliance and if they understand the possible danger. Children from 3 to 8 years of age mustn't insert the plug into the socket, control or clean the appliance or carry out maintenance that is to be done by the user.

**WARNING – Some parts of this product may become very hot and cause burns. Special attention must be paid to this fact in the presence of children and handicapped persons.**



## Installation instructions

Installation, electrical connection and the first commissioning is permitted to be performed by a worker with relevant qualifications. The panels are intended for mounting on a wall or ceiling. The producer must be consulted before any other form of installation is attempted.

### Installation on the ceiling

- Position the mounting frame in the location where the panel is to be placed, using a pen, mark holes according to the holes on the frame.
- Drill the holes, insert the wall anchors and attach the mounting frame with the screws.
- Always hang the panel by all four mounting slots
- Slide the panel into the mounting frame.

### Installation on the wall

- Mark the holes according to the table, drill out the holes, insert the dowels and drive the screw in to protrude approx. 5 mm. (Fig. 4)
- Always hang the panel by all four mounting slots.
- Put the panel on the screws.

### Clearance distances

The distance between the bottom edge of the appliance and the floor mustn't be less than 50 mm; 150 mm is recommended. The clearance distance on the side (e.g. from furniture) must be at least 100 mm, and 100 mm is the minimum in the upward direction (see Fig. 2).

In bathrooms, the panel must be installed in accordance with the HD 60364-7-701:2007 standard and is permitted to be located in accordance with Fig. 1.

The panel is a class II appliance, with IP 44 coverage. The panel must not be placed directly under an electric socket.

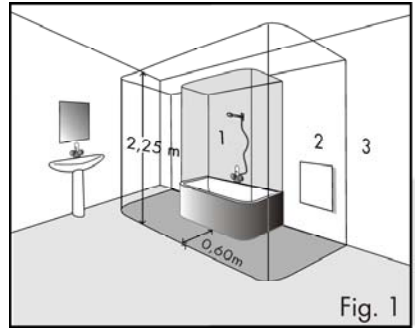


Fig. 1

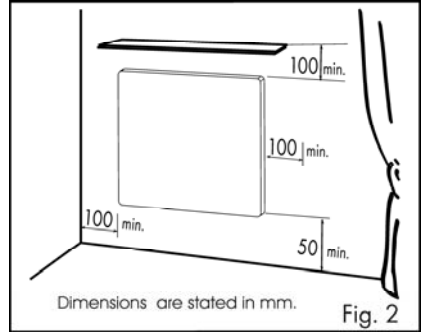


Fig. 2

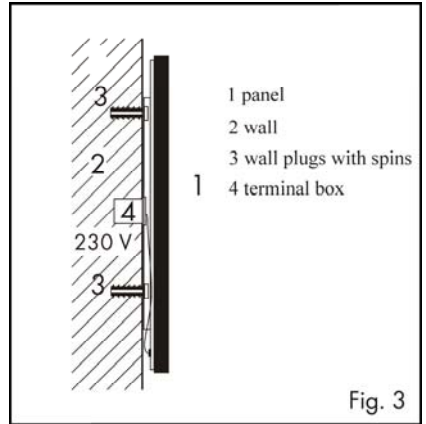


Fig. 3

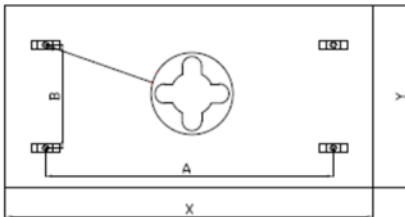
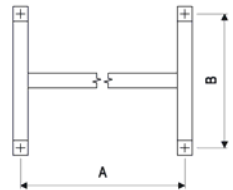


Fig.4

W	A (mm)	B (mm)
300	335	360
600	935	360
850	935	360

### Mounting frame



W	A (mm)	B (mm)
300	340	280
600	935	280
850	935	280

## ***Electric installation***

The panel is fitted with a two-conductor cable for 1/N 230 V / Hz with a plug for connection into a socket.

Removal of the plug and shortening of the supply lead will not result in loss of warranty.

Colour marking of the conductors:

Phase – brown

Central (live) conductor – blue

The power supply cable is connected to a box on the wall, see Fig 3.

The panel must not be placed directly under an electric socket.

The supply cable must be fitted with a device for disconnection from the mains in which the distance between the disconnected contacts is at least 3.5 m for all poles.

If the supply cable of this appliance is damaged, it has to be replaced by the producer or a service technician.

## ***Controlling the panel***

We recommend controlling this panel using an external room thermostat with a switch.

The room thermostat maintains the set air temperature in the room.

Furthermore, the panel is fitted with a limit thermostat which ensures its safe operation.

## ***Uninstalling the panel***

Disconnect the panel from the mains using a two-pole switch before uninstalling it. Lift the panel upwards vertically and sideways in such a way that it is released from the screws. Furthermore, the supply cable must be disconnected from the box on the wall.

## ***Technical specifications***

Type	Dimensions (mm) (LxWxH)	Weight (kg)	Output (W)	Current (A)	Voltage (V) AC	Protection class	Coverage
G 300	600x600x40	7/10.2*	300	1,3	230 V	II	IP 44
G 600	1200x600x40	14/19*	600	2,6			
G 850	1200x800x40	18,6	850	3,7			

\* mirror

The panel can be installed on bases of flammability class C or D.

## ***Instructions for cleaning the panel***

Always clean the whole surface of the glass - never clean just small parts of it. Cleaning must be performed while the glass is wet! It is recommended that the following glass cleaning agents which contain alcohol be used:

Clin – window cleaner spray (with alcohol), manufactured by Henkel

Vitro – an industrial window and mirror cleaner (2-butoxyethanol) made by Amstutz produkte AG

After the application of cleaning agent, use a soft, clean, non-fraying cotton cloth. Do not apply any great pressure when carrying out the cleaning itself, as this could cause scratches or smudges to appear on the surface of the glass. Wipe the glass in this way until the cleaning agent dries up evenly. The more even the wet surface is, the lower the risk of smudging. Never use great pressure to wipe the glass dry! If smudges appear on the glass anyway, please repeat the procedure.

***All products containing hydrofluoric acids or fluoride derivatives are prohibited as they may damage the coating and surface of the glass.***

***Highly acidic or alkaline products are prohibited, and so are abrasive products.***

The glass panel must be protected against aggressive substances such as lime, soda, cement, etc., and must not come into contact with any kind of paint or varnish.

## ***Warranty conditions***

The supplier provides a warranty of 24 months from date of sale for their product. The warranty does not cover faults caused by transportation, careless manipulation or non-professional installation. The warranty also does not apply in the case of a non-professional intervention into the panel or to everyday wear and tear on the product.

***Confirmation of sale: .....***

***Date of sale:.....***

***Serial number:.....***

***Seller:.....***