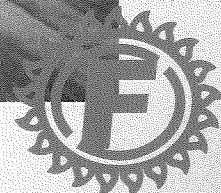


Ceiling Heating

FLEXEL
INTERNATIONAL



Now you can have comfortable heating in any building without the inconvenience, cost and unsightly service requirements of traditional heating systems.

The **Flexel** radiant heating system uses low temperature electric heating elements installed in the ceiling to give you natural, comfortable indoor warmth at low costs.

Flexel, unlike other systems which heat and circulate the air, uses similar radiant action to the sun to gently warm the surfaces, objects and occupants of a room.

Flexel ceiling heating offers many advantages over more conventional types of heating.

Creating comfort in individual rooms is not just a matter of generating warmth - it is a matter of how heat is transferred and distributed.

An ideal heating system is one that has as large a heating surface as possible, enabling balanced heat distribution and the lowest possible heating temperatures.

The flexibility of the system makes it easy, quick and economical to install by approved installers. It is equally suitable for new or refurbishment projects.



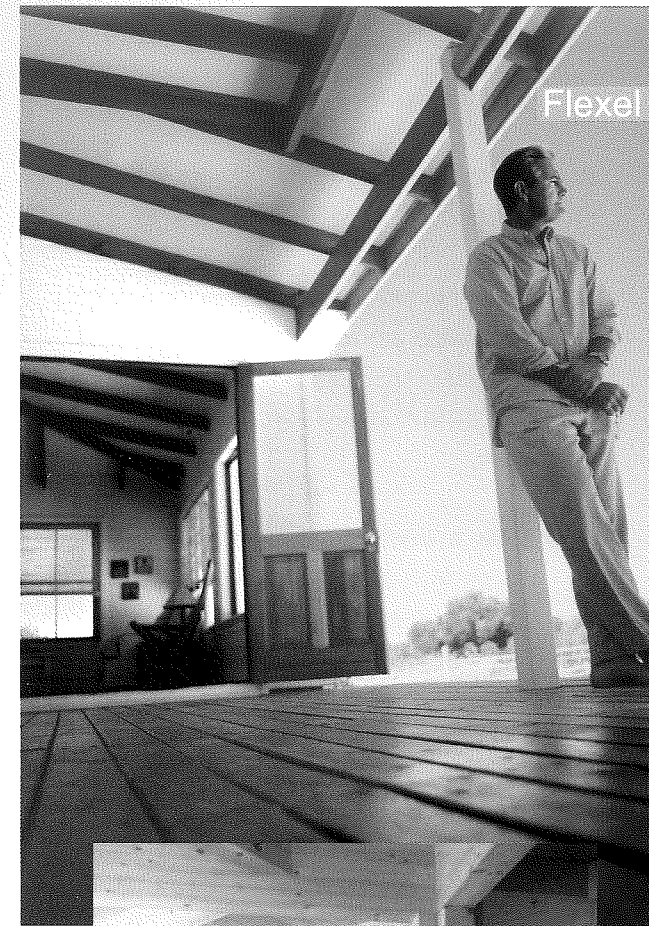
Flexel heating elements are installed out of sight in the ceiling. Completely invisible.

Available in rolls, in a range of widths to suit all joist widths.

Flexel Heating Element is composed of a uniform carbon layer on a polyester film. Electrical energy is brought into the heating film using two copper strips, and is transformed without loss into thermal energy. The result is a balanced heat distribution with the lowest possible temperature leading to improved economy, and high user comfort.

For ceiling heating, the heating output is distributed equally within its entire surface and the ceiling's surface temperature is low (35°- 40° C). This combination of factors is simply ideal from the standpoint of comfort and economy.

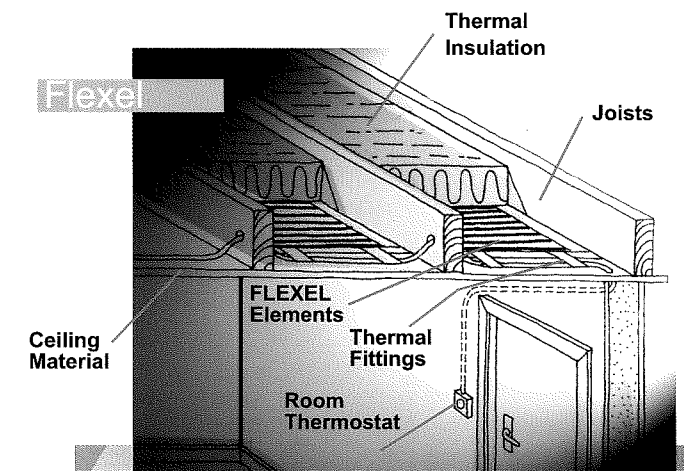
No dust circulation is created, because this is an entirely radiant (rather than convective) heating method.



Flexel also saves on energy costs by making efficient use of high insulation levels and the latest control equipment.

Sensitive room thermostats provide total flexibility of control with electronic units in selected areas resulting in improved comfort levels. Additional time clocks allow daily and weekly programming to ensure that the heating is only used when required.

With over 3 million square metres of Flexel installed over a 30 year period, a lifetime of maintenance free warmth and comfort is provided. Installed by Flexel approved installers Flexel ceiling heating element is covered by a comprehensive 10 year warranty with recognised approvals in the United Kingdom and 17 other countries.

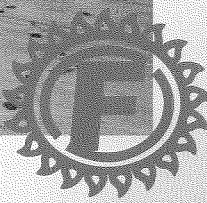
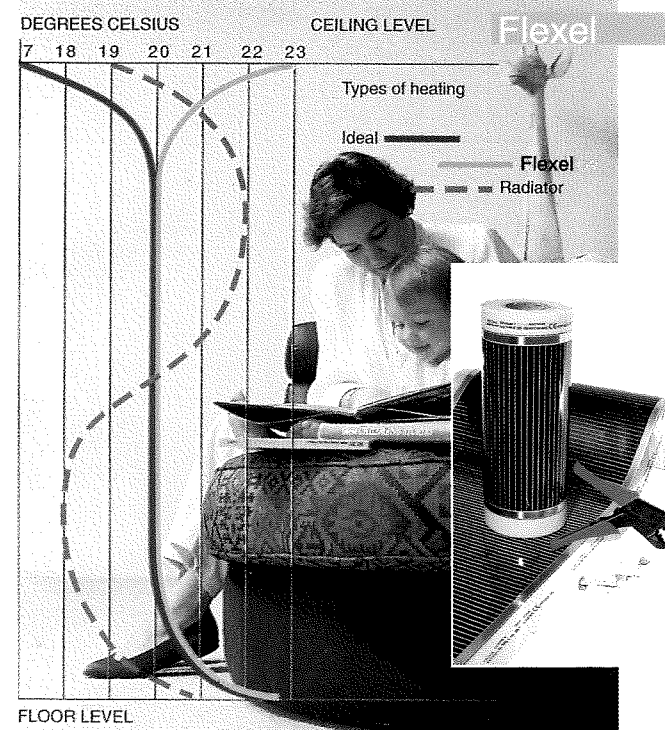


Flexel cassettes offer improved thermal comfort in the domestic, commercial or industrial environment.

Overhead and wall mounted radiant heaters solve the problem of cold spots, difficult to heat areas and isolated work areas in many diverse settings.

For the work place, heaters can be set by thermostatic control to the individual's personal comfort levels. For animal husbandry recommended heat levels are easily controlled.

There are no hot air ducts, hot surfaces or flames to cause risk of burns to children and the elderly.





Benefits of low and high temperature cassettes

- Suitable for new or existing buildings.
- Space saving. No loss of wall or floor space.
- Safe. No smells, noise, draughts, carbon monoxide emissions or risk of fire.
- No hot surfaces within reach, no risk of burns.
- Easy to install overhead panels suitable for surface mounting, suspension or lay into a suspended ceiling grid.
- Fully sealed panel suitable for use in wet or hazardous areas are available on request.
- Maintenance free. Easy to clean and fully guaranteed.

Applications

- Extensions – additional heating without the need to increase the size of the existing heating system.
- Hard to heat areas – community centres, gymnasiums, churches, conference venues.
- High risk areas – chemical stores, garages and spray booths.
- Schools and public areas.
- Hospitals – areas requiring higher comfort levels, corridors, reception areas.

Ceiling Cassettes are extensively used at...

- Point of work – isolated areas and stations, attic conversions, over desks and reception areas, ticket offices.
- Perimeter heating – counters imbalances of cold zones near windows.
- Special needs – neonatal, x-ray tables, trauma units, burns and early recovery rooms.
- Agricultural – including kennels, catteries, stables and other farm buildings.



Flexel International Limited

www.flexel.co.uk

Queensway Industrial Estate, Glenrothes, Fife KY7 5QF Scotland
 Tel: +44 (0)1592 757 313 Fax: +44 (0)1592 754 535 Email: sales@flexel.co.uk

